

Product Specification

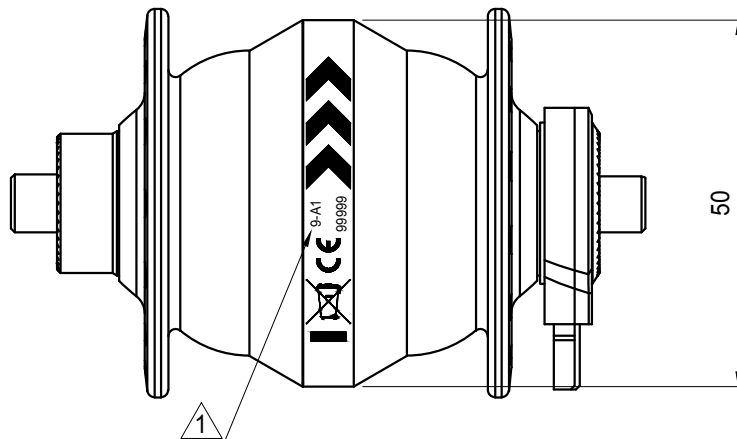
SV-9-FC

Item Specification

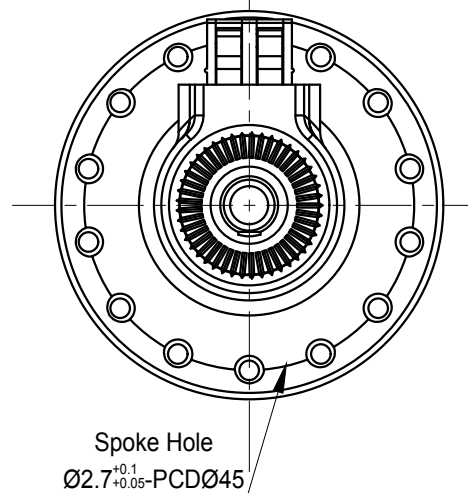
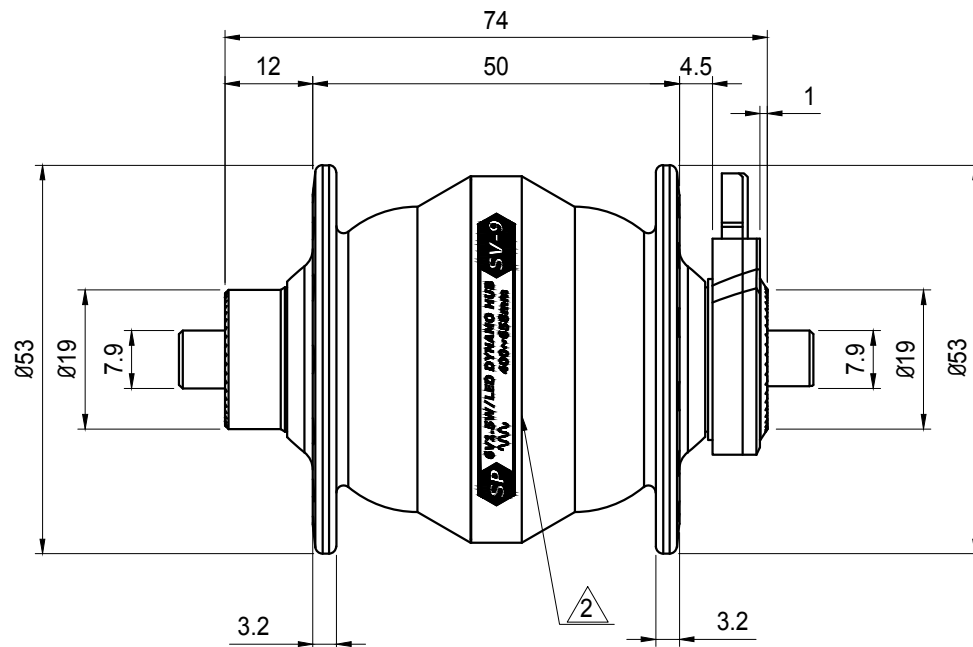
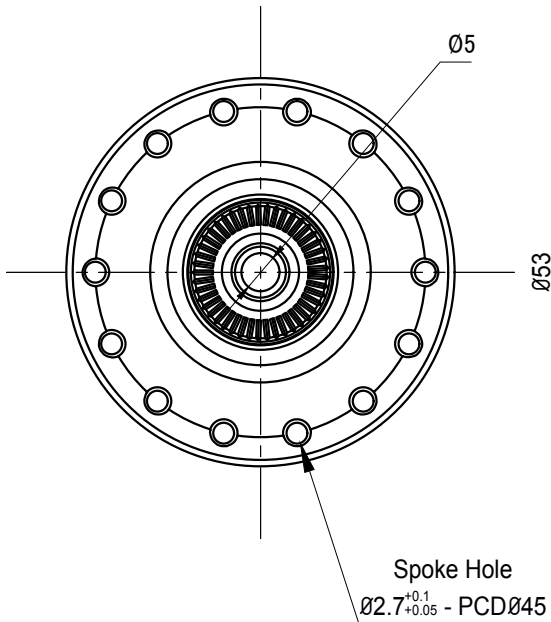
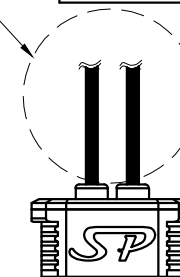
NOTE : Hub Serial No. : 9-A1
99999 , Font size : 1.4 mm.
 Product Code
 Serial No.

Laser etching way: Both sides with different patterns, which should follow the drawing.

| | |
|------------------|------------|
| Axle Fixing Bolt | QR |
| Spoke Hole | 28 |
| Seal | Bearing *2 |
| Output Volage | 6V1.5W/LED |
| Wheel Diameter | 400~658mm |
| Weight | 299 g |
| Dynamo | MD004 |



Electric wire



Version Date: 2020.12.17

| | | |
|---------|-------|-----------|
| UNIT:mm | SCALE | TOLERANCE |
| | 1:1 | ± 0.5 |
| MAKE | CHECK | CONFORM |

| | |
|------------|----------|
| Hub dynamo | |
| SP Model | 9 Series |
| MODEL | |
| SV-9-FC-02 | |

| | | | |
|--|--------------|---------|-----------------------------|
| | 2020.12.17 | | Laser etching way is change |
| | 2020.07.21 | | Laser etching way is change |
| | Version Date | ECR No. | Description |