

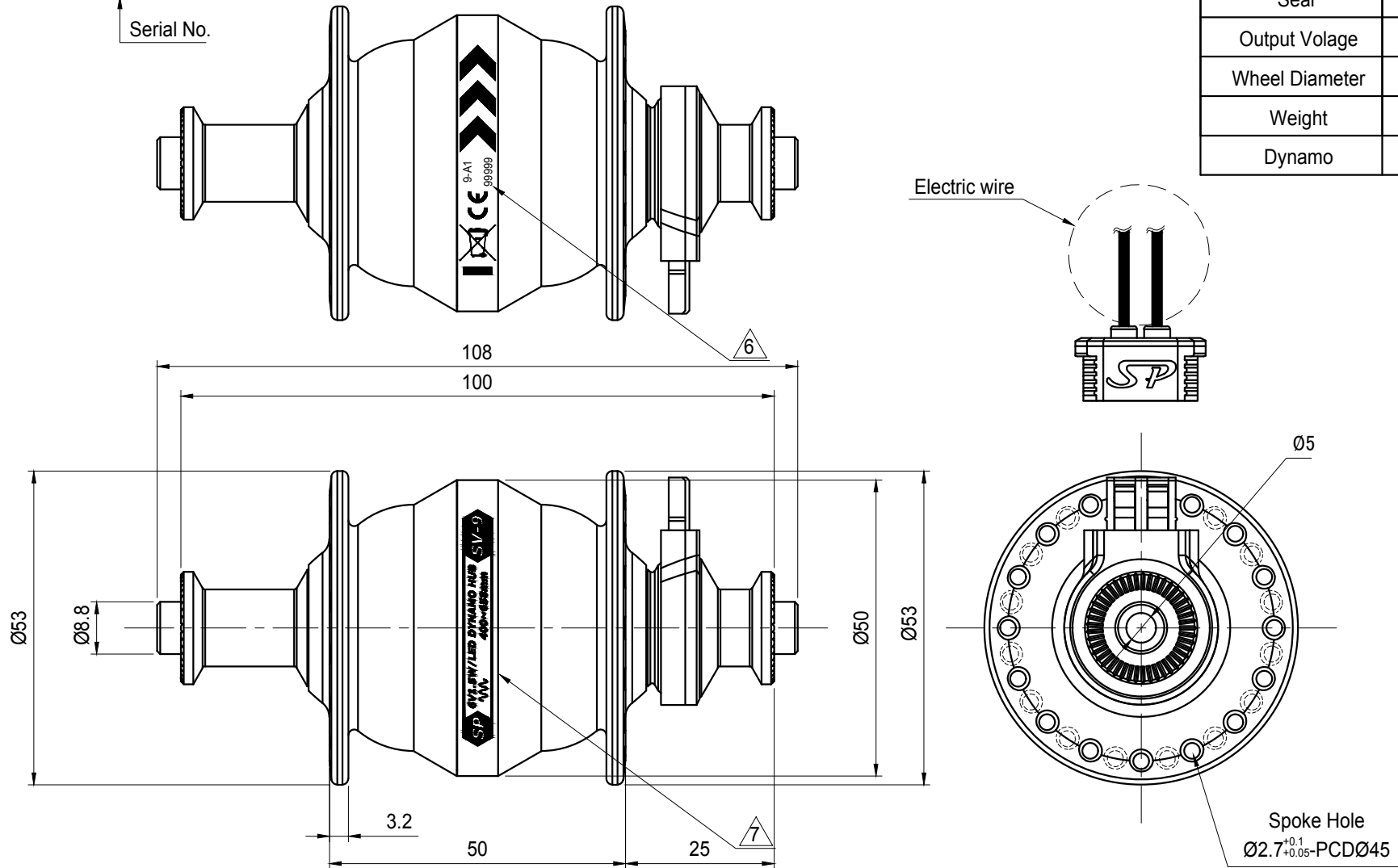
Product Specification

SV-9

Item	Specification
Axle Fixing Bolt	QR
Spoke Hole	20/24/28/32/36
Seal	Bearing*2
Output Volage	6V1.5W/LED
Wheel Diameter	400~658mm
Weight	309g
Dynamo	MD004

NOTE : Hub Serial No. : 9-A1  
99999 , Font size : 1.4 mm.  
Serial No.

Laser etching way: Both sides with different patterns, which should follow the drawing.



Version Date: 2020.12.17

Version No.	Version Date	ECR No.	Description
7	2020.12.17		Laser etching way is change
6	2020.07.21		Laser etching way is change
5	2016.02.25		Modification of part no. and design

UNIT:mm	SCALE	TOLERANCE
	1 : 1	±0.5
MAKE	CHECK	CONFORM

Hub dynamo	
SP Model	SV-9
MODEL	
SV-9-07	