

Product Specification

SV-8

Item Specification

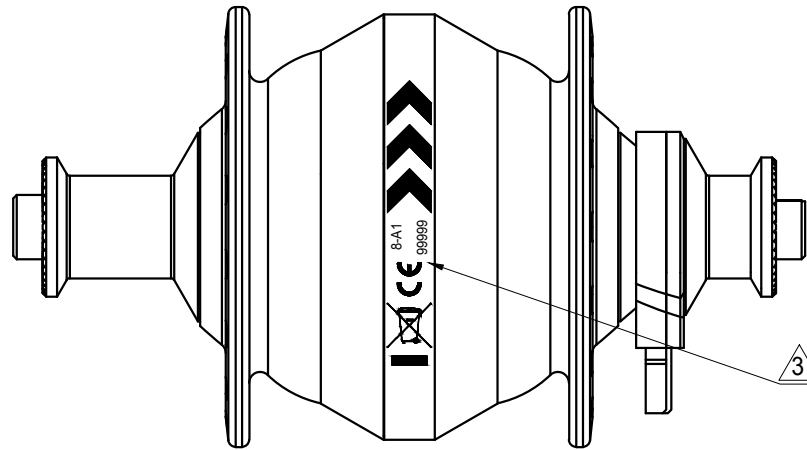
Laser etching way: Both sides with different patterns, which should follow the drawing.

NOTE : Hub Serial No. : 8-A1  
99999 , Font size : 1.4 mm.

Product Code

Serial No.

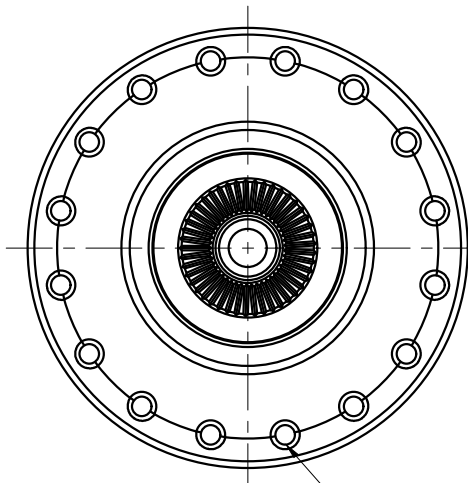
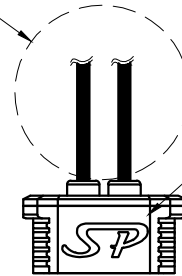
Item	Specification
Axle Fixing Bolt	QR
Spoke Hole	20/24/28/32/36
Seal	Bearing *2
Output Volage	6V3W
Wheel Diameter	400 ~ 536 mm
Weight	357 g $\triangle 4$ $\triangle 5$



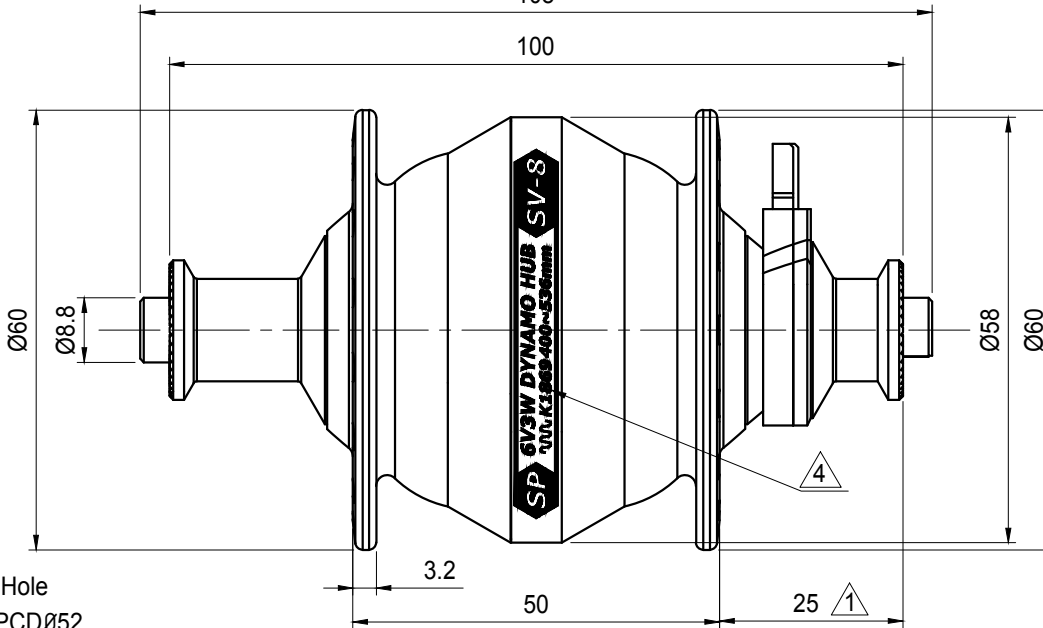
$\triangle 3$

Electric wire

Connector(Grey)



Spoke Hole  
 $\text{Ø}2.7^{+0.1}_{-0.05}$  - PCD $\text{Ø}52$



Ø5.2

Spoke Hole  
 $\text{Ø}2.7^{+0.1}_{-0.05}$  - PCD $\text{Ø}52$

Version Date: 2021.03.23

UNIT:mm	SCALE	TOLERANCE
	1:1	$\pm 0.5$
MAKE	CHECK	CONFORM

Hub dynamo

SP Model

8 Series

MODEL

SV-8-05

$\triangle 5$	2021.07.28		Adjustment of weight loss
$\triangle 4$	2021.03.23		Laser etching way is change
$\triangle 3$	2020.07.21		Laser etching way is change
$\triangle$	Version Date	ECR No.	Description