

Product Specification

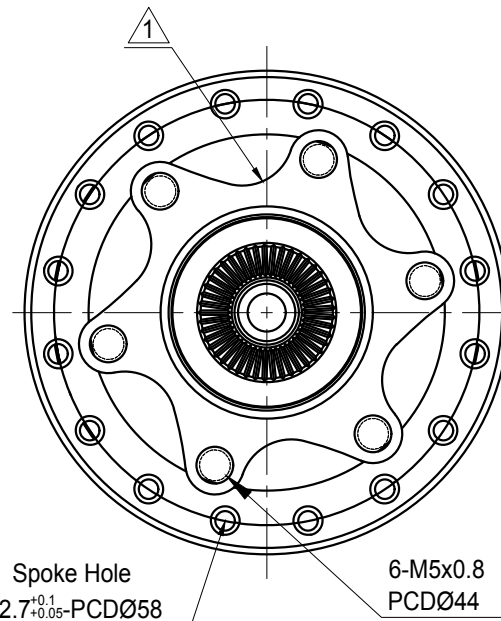
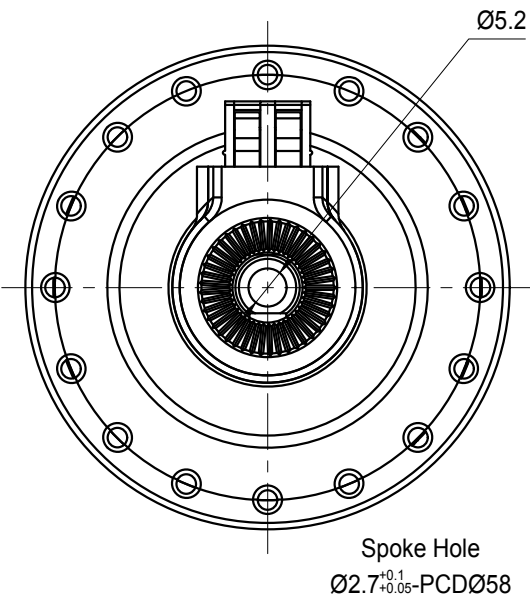
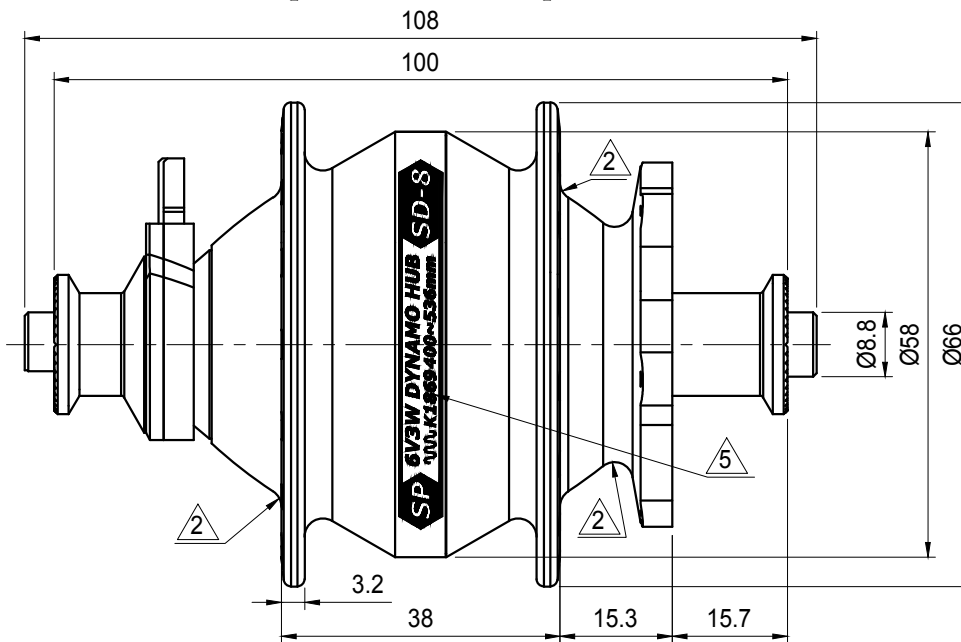
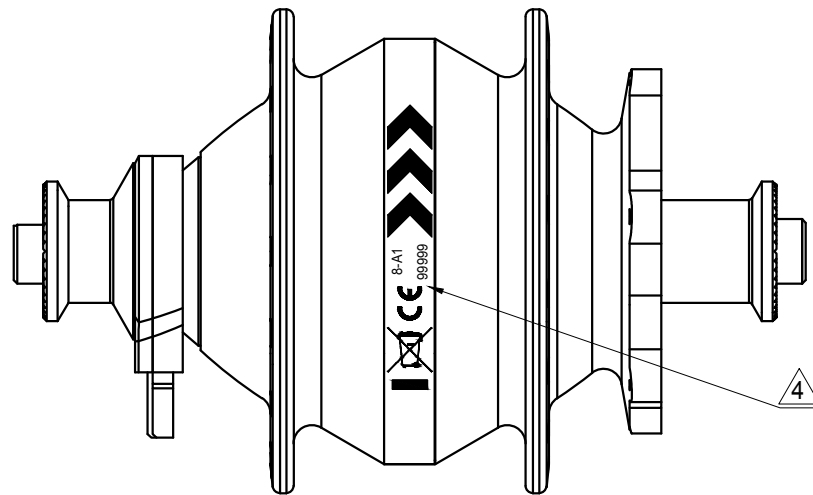
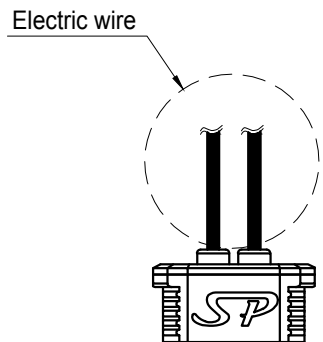
SD-8-B

Item Specification

Laser etching way: Both sides with different patterns, which should follow the drawing.

Axle Fixing Bolt	QR
Spoke Hole	20 / 24 / 28 / 32 / 36
Seal	Bearing *2
Output Volage	6V3W
Wheel Diameter	400 ~ 536 mm
Weight	375g $\triangle 5$ $\triangle 6$

NOTE : Hub Serial No. : 8-A1 , Font size : 1.4 mm.
99999 ,
 Product Code
 Serial No.



Version Date: 2021.03.23

$\triangle 6$	2021.07.28		Adjustment of weight loss
$\triangle 5$	2021.03.23		Laser etching way is change
$\triangle 4$	2020.07.14		Laser etching way is change
\triangle	Version Date	ECR No.	Description

UNIT:mm	SCALE	TOLERANCE
	1:1	± 0.5
MAKE	CHECK	CONFORM

Hub dynamo	
SP Model	8 Series
MODEL	
SD-8-B-06	