

Product Specification

PL-8

Item

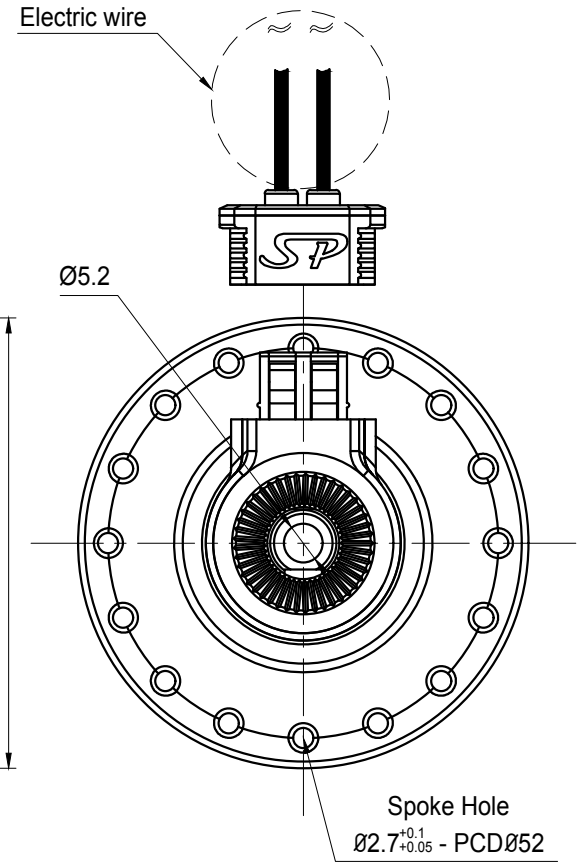
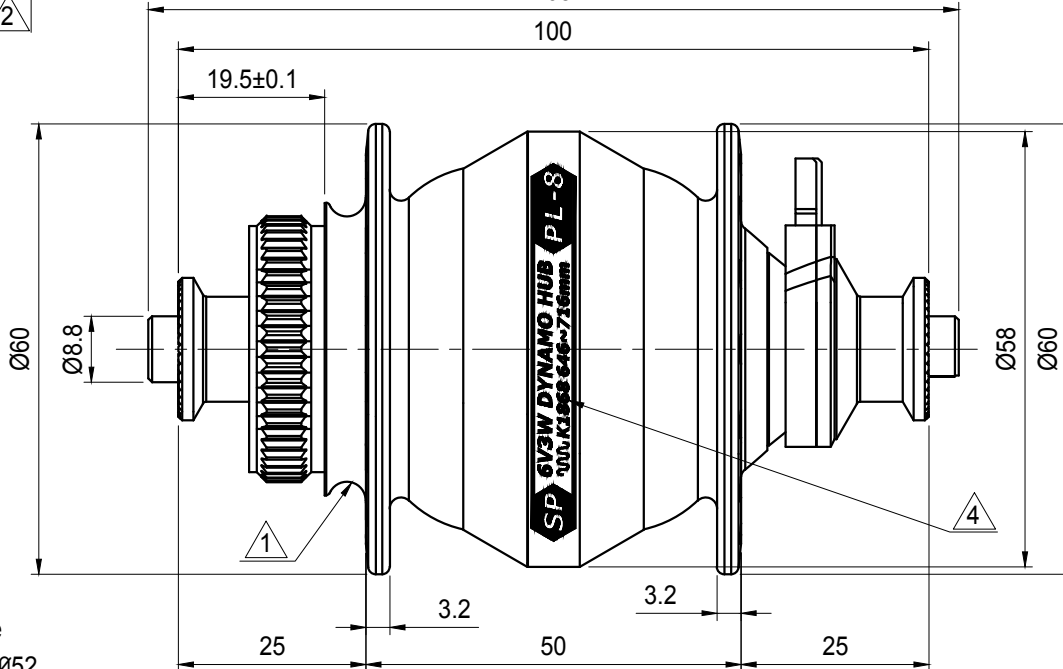
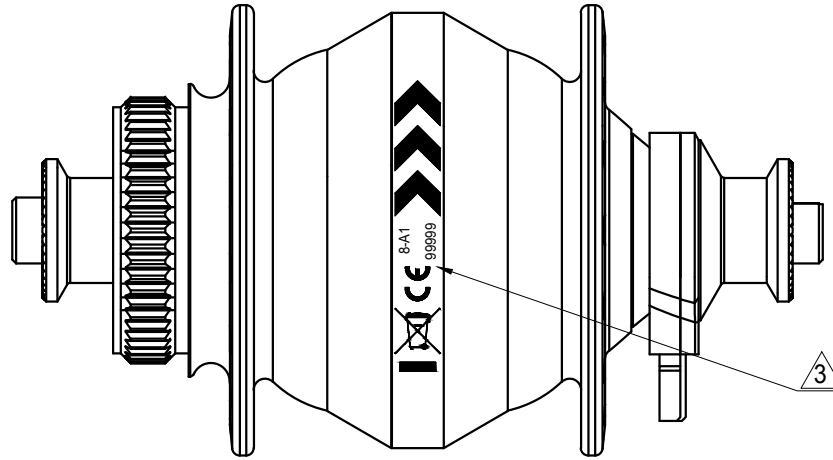
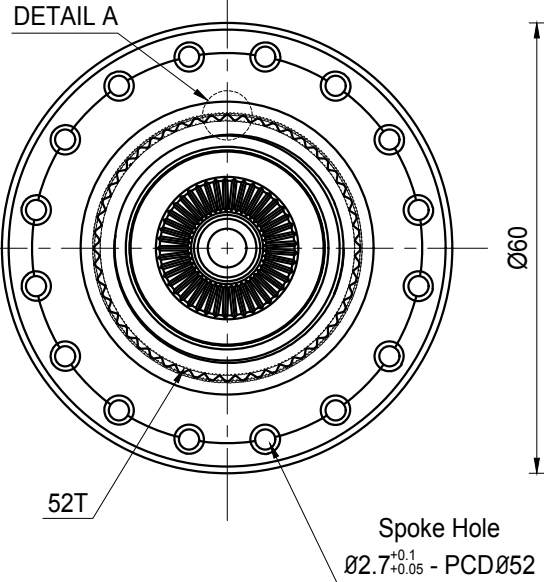
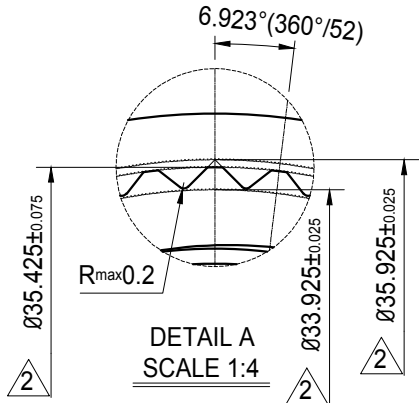
Specification

Laser etching way: Both sides with different patterns, which should follow the drawing.

NOTE : Hub Serial No. : 8-A1 99999, Font size : 1.4 mm.

Product Code

Serial No.



Axle Fixing Bolt	QR
Spoke Hole	20/24/28/32/36
Seal	Bearing *2
Output Voltage	6V3W
Wheel Diameter	646 ~ 716 mm
Weight	385 g [△] 4

Version Date: 2021.03.23

UNIT:mm	SCALE	TOLERANCE
	1:1	± 0.5
MAKE	CHECK	CONFORM

Hub dynamo	
SP Model	8 Series
MODEL	
PL-8-04	

[△] 4	2021.03.23		Laser etching way is change
[△] 3	2020.07.21		Laser etching way is change
[△] 2	20108.10.24		Modification of the dimension of 52T serration
[△]	Version Date	ECR No.	Description