

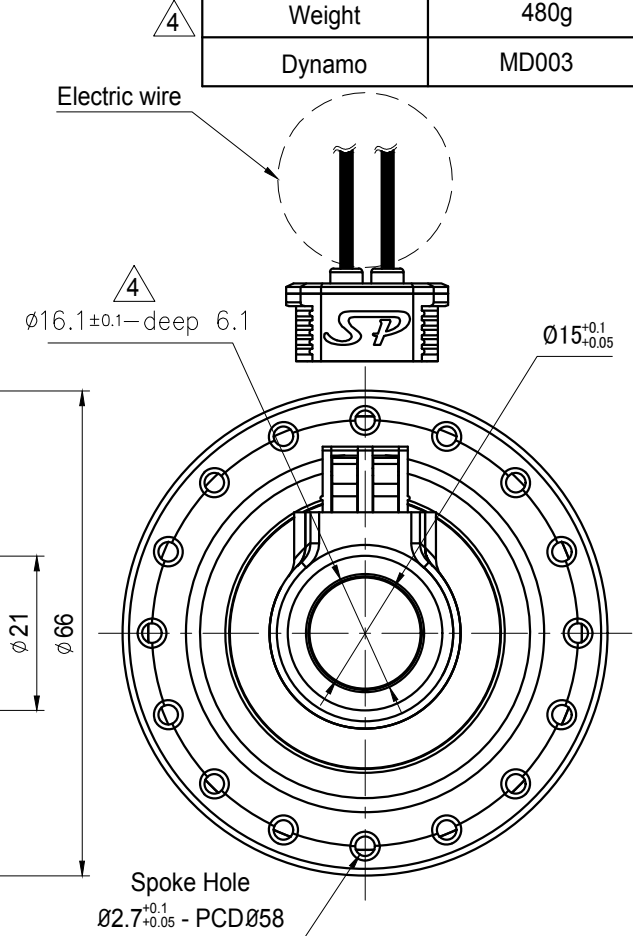
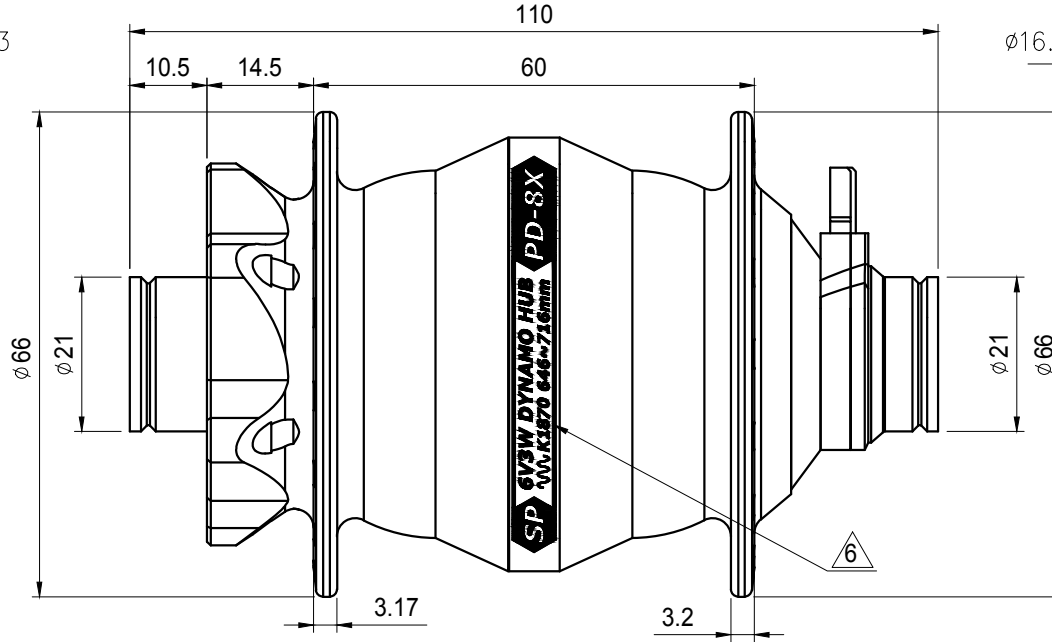
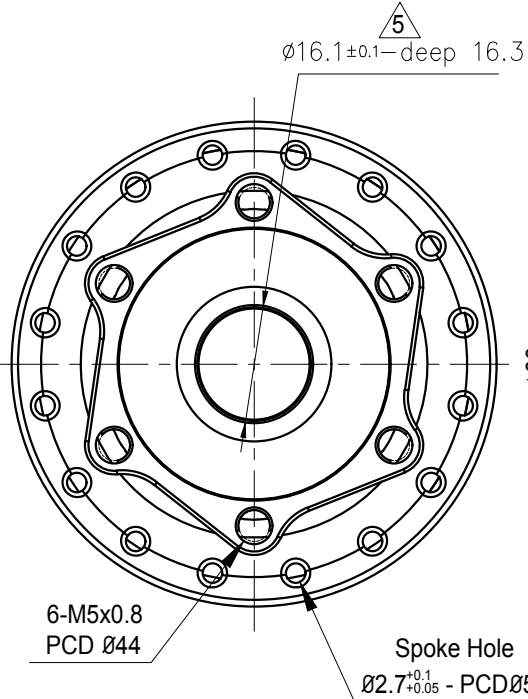
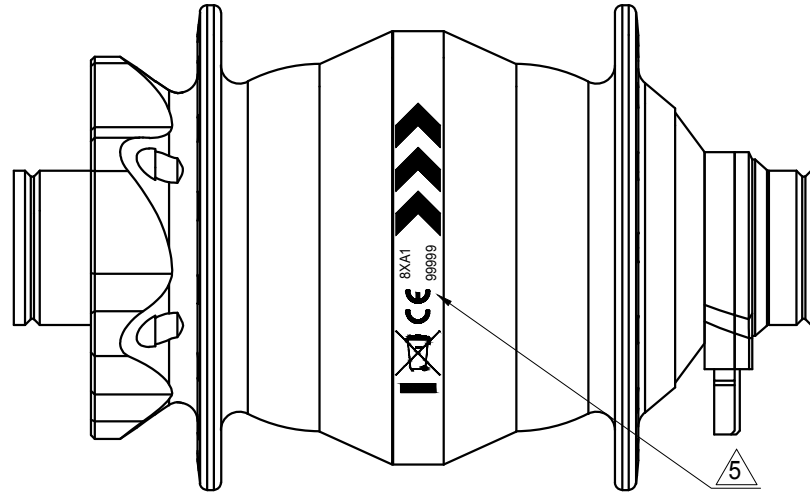
Product Specification

PD-8X-110

Item	Specification
Axle Fixing Bolt	QR
Spoke Hole	32 / 36
Seal	Bearing *2
Output Volage	6V3W
Wheel Diameter	646~716mm
Weight	480g
Dynamo	MD003

NOTE : Hub Serial No. : 8XA1 , Font size : 1.4 mm.
99999
 Product Code
 Serial No.

Laser etching way: Both sides with different patterns, which should follow the drawing.



Version Date: 2020.12.29

△	Version Date	ECR No.	Description
6	2020.12.29		Laser etching way is change
5	2020.07.21		Laser etching way is change
4	2017.05.12		Dimensions marked and modification of weight
3	2016.11.28		Modification of shape and part design

UNIT:mm	SCALE	TOLERANCE
	1:1	± 0.5
MAKE	CHECK	CONFORM

Hub dynamo	
SP Model	8X Series
MODEL	PD-8X-110-06