

Product Specification

PD-8

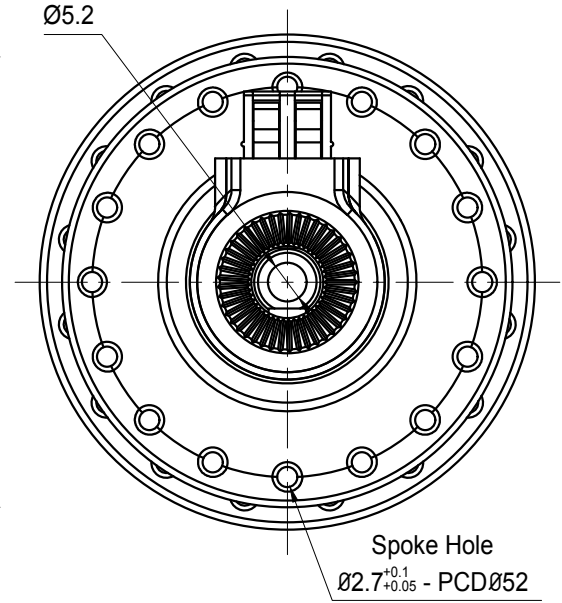
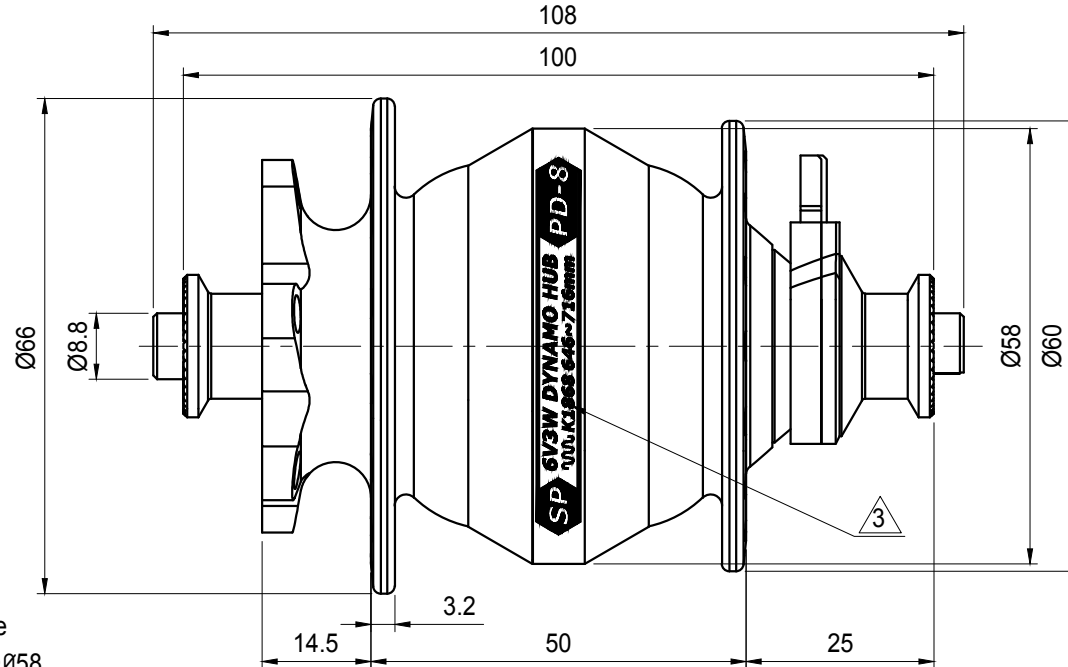
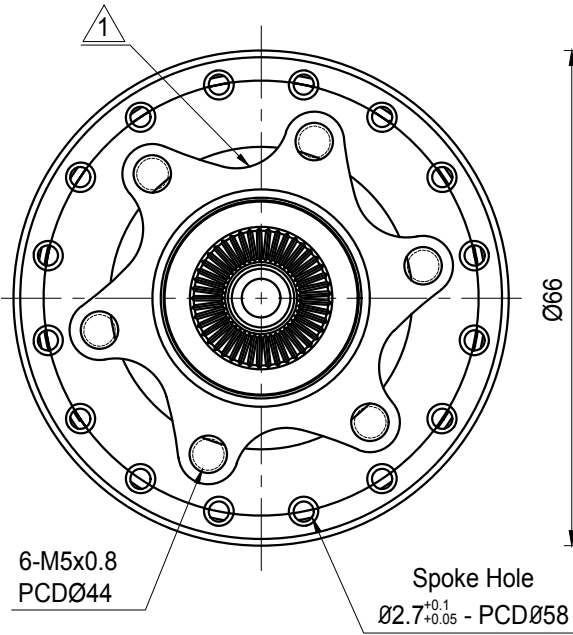
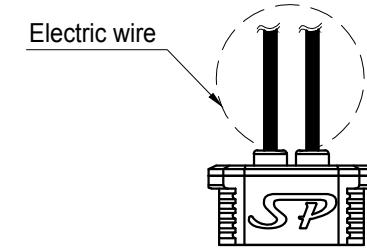
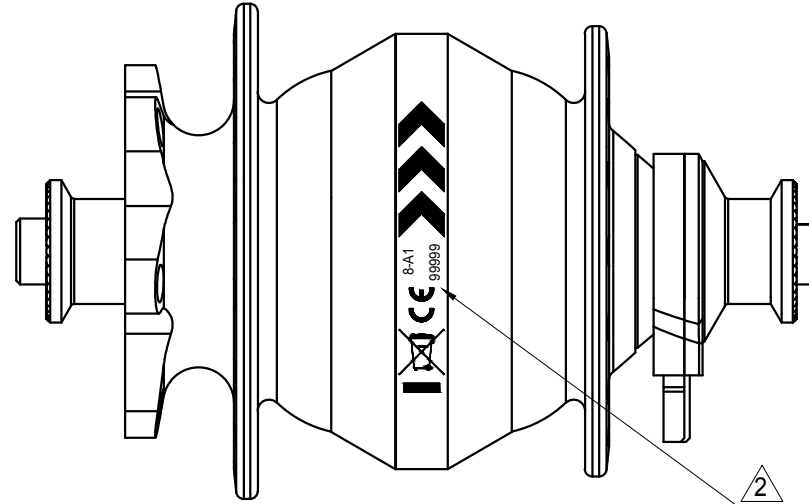
Item

Specification

Laser etching way: Both sides with different patterns, which should follow the drawing.

NOTE : Hub Serial No. : 8-A1  
99999 , Font size : 1.4 mm.  
Product Code  
Serial No.

Axle Fixing Bolt	QR
Spoke Hole	20/24/28/32/36
Seal	Bearing *2
Output Voltage	6V3W
Wheel Diameter	646 ~ 716 mm
Weight	395 g $\triangle 3$



Version Date: 2021.03.23

UNIT:mm	SCALE	TOLERANCE
	1:1	± 0.5
MAKE	CHECK	CONFORM

Hub dynamo	
SP Model	8 Series
MODEL PD-8-03	

$\triangle 3$	2021.03.23		Laser etching way is change
$\triangle 2$	2020.07.21		Laser etching way is change
$\triangle 1$	2016.05.05		Modification of the dimension of disc brake mechanism
$\triangle$	Version Date	ECR No.	Description